


HBL2321 -- Twist-Lock Plug



2P3W, 20A 250V, L6-20P, Black & White Nylon

HBL2321

Product Specifications

| | |
|-----------------------------------|--|
| Product Type |  <p>Twist-Lock Devices</p> |
| Product Item | Plug |
| Wiring Scheme | 2 Pole, 3 Wire Grounding |
| Amperage | 20A |
| Voltage | 250V AC |
| NEMA Configuration | L6-20P |
| Item Style | Insulgrip |
| Device Color | Black/White |
| Horsepower | 2 |
| Cord Dia. | .360"-.930" (9-24) |
| Blade Holder Material | Natural White Nylon |
| Terminal Retainer Material | Clear polycarbonate |

| | |
|-------------------------------------|--|
| Housing Material | Black nylon |
| Cord Clamp Material | Natural (white) nylon |
| Blade Material | Brass |
| Terminal Clamp Material | .08" (2) steel-nickel plated |
| Terminal Screw Material | #10-32 Brass (white finish on neutral screw when used) Multi-drive |
| Ground Screw Material | #10-32 Brass (green finish) Multi-drive |
| Cord Clamp Screw Material | Steel, zinc plated Multi-drive |
| Body Holding Screw Material | Steel, zinc plated Multi-drive |
| Ratings | Molded into face |
| Catalog No. | Permanently ink marked on body. |
| Dielectric Voltage Withstand | 2,000V minimum |
| Current Interrupting | Certified for current interrupting at full rated current. |
| Temperature Rise | Max 30 C temperature rise at full rated current after 50 cycles of overload at 150% of rated current at a power factor of .75. |
| Cord Accommodation | Round portable service cords of diameters commensurate with the device rating as defined in UL Standard 62, CSA C22.2 No. 49. |
| Terminal Accommodation | 20A #12 AWG |
| Terminal Identification | Terminals identified in accordance with UL 498 (X, Y, Z, White, Green) |
| Flammability | HB or better per UL 94 or CSA 22.2 No. 0.6 |
| Operating Temperatures | Maximum Continuous 75 C Minimum -40 C (w/o impact) |
| Moisture Resistance | IP20 |
| Listings | FED SPEC UL/CSA |
| Feature Info | Black and white nylon. |
| M Drawings | Click here for M-Drawing |
| Catalog Page | Click here for catalog page B22 |
| Brochures | Click here for product brochure |
| Hubbellnet | Click here for Hubbellnet |
| Catalog Section | Click here for Section-B |
| UPC Number | 78358503782 |
| Weight in LBs | 0.2 |



NEMA LB-20P
20A 250V
UL/CSA
2 HP

NEMA
Configuration

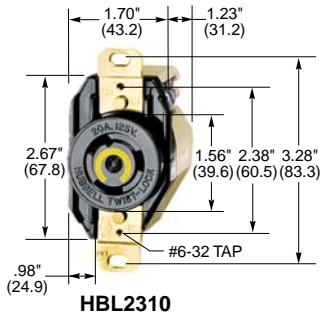


TWIST-LOCK® Devices

2 Pole, 3 Wire Grounding

20 Ampere, 125, 250 Volts and 277 Volts AC

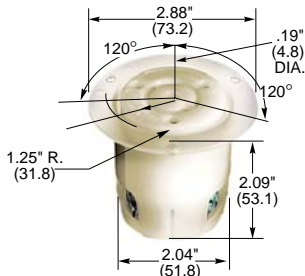
Receptacles, INSULGRIP® Connector Bodies, Flanged Devices and Plugs



HBL2310



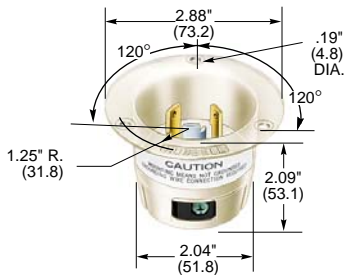
HBL2313



HBL2316



HBL2311



HBL2315



NEMA L5-20R
20A 125V
UL/CSA
1 HP



NEMA L6-20R
20A 250V
UL/CSA
2 HP



NEMA L7-20R
20A 277V AC
UL/CSA
2 HP

Single Flush Receptacles, Back and Side Wired

| Description | Catalog Numbers | | |
|---|------------------|----------------|----------------|
| Black nylon face. | HBL2310 | HBL2320 | HBL2330 |
| Isolated ground, orange nylon face. | IG2310 | IG2320 | — |
| Corrosion resistant, yellow nylon face. | HBL23CM10 | — | — |

Insulgrip Connector Bodies IP20 SUITABILITY

| Description | Catalog Numbers | | |
|------------------------------------|------------------|------------------|----------------|
| Black and white nylon. | HBL2313 | HBL2323 | HBL2333 |
| Corrosion resistant, yellow nylon. | HBL23CM13 | HBL23CM23 | — |

Note: Cord clamp range .360"-.930" (9-24).

Insulgrip Flanged Receptacles

| Description | Catalog Numbers | | |
|---------------------------|-----------------|----------------|----------------|
| Nylon casing, back wired. | HBL2316 | HBL2326 | HBL2336 |



NEMA L5-20P
20A 125V
UL/CSA
1 HP



NEMA L6-20P
20A 250V
UL/CSA
2 HP



NEMA L7-20P
20A 277V AC
UL/CSA
2 HP

Insulgrip Plugs IP20 SUITABILITY

| Description | Catalog Numbers | | |
|------------------------------------|------------------|------------------|----------------|
| Black and white nylon. | HBL2311 | HBL2321 | HBL2331 |
| Corrosion resistant, yellow nylon. | HBL23CM11 | HBL23CM21 | — |

Notes: Cord grip range .360"-.930" (9-24).
See page B-73 for Add-A-Shroud™ kit.

Insulgrip Flanged Inlets

| Description | Catalog Numbers | | |
|---------------------------|-----------------|----------------|----------------|
| Nylon casing, back wired. | HBL2315 | HBL2325 | HBL2335 |

Notes: See pages B-68 and B-69 for accessories.
See page B-63 for switched enclosure.
For technical information see page B-83.
HP ratings are AC only.
Only receptacles and plugs are HP rated.